



> SPECIFICATIONS

Dimensions :	H 289 x L 248 x D 128 mm
Model:	ABS Case / PMMA Door
Color:	Black Gloss
Net Weight :	2.345 kg (Without Refill)
Gross Weight:	2.898 kg (Box & Accessories)
Power supply: :	AC-DC Single Output Wall-mounted type
Consumption :	12 Watts
Operating temperature:	5 to 45 ° C
Humidity Rate :	20 to 80%
Area Coverage :	30 to 150 m ²
Refill size :	500 ml
Shelf Life:	4 Weeks (Intensive) 6 Weeks (Regular) 8 Weeks (Low)
Connecting Air Conditioning:	Duct-type Type. Up to 4000 m ³ / hour.
Warranty:	12 months

> KEY FEATURES

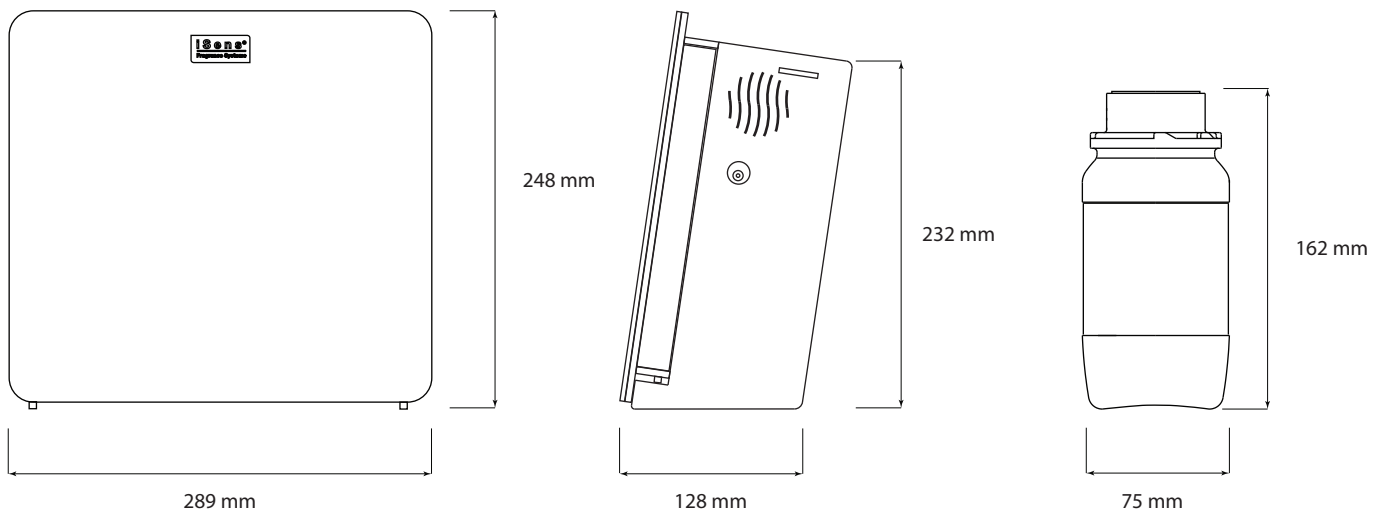
- Programmable via USB / SD CARD
- Keyboard control
- 2 Operating Modes (Auto. / Manual)
- Quick Refill change
- Ultra Silent

> BOX CONTENT

- iSens Classis Diffuseur
- External Switching Power Supply
- Diffusion Head
- User Guide

> CERTIFICATIONS

Our fragrances are manufactured in accordance with IFRA (International Fragrance Association) standards and regulations.



Plug and Smell



Intensity Control



Schedule Programming



Environmental Respect



SHAMS CONSEILS
DESIGN OLFACTIF
PARIS

AGENCE CONSEIL EN DESIGN OLFACTIF
WWW.SHAMSCONSEILS.COM
INFO@SHAMSCONSEILS.COM